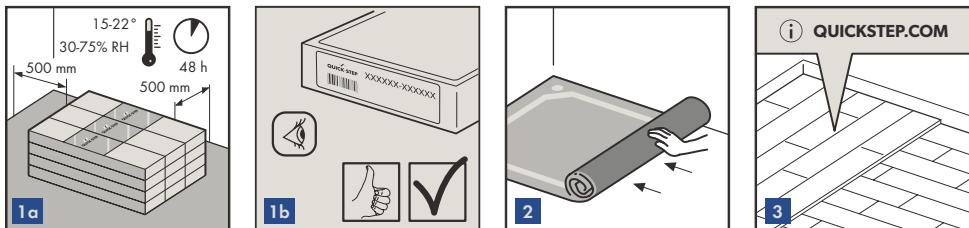


In order to obtain a good result, we advise all parties to follow all given instructions carefully. National regulations regarding floor applications must always be followed. Please make sure that the floor user has a copy of this document.



1. PREPARATION

1a 1b

Let the planks acclimatize for 48 hours in the unopened packaging at the normal room temperature, in the middle of the room where the floor is to be installed. The ideal conditions are 15-22°C at a relative humidity of 30-75%. If climate conditions are outside this 30-75% range, we strongly advise to acclimatize for 1 week with opened packages.

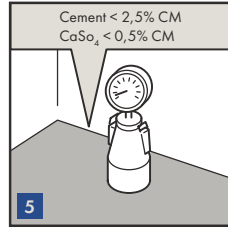
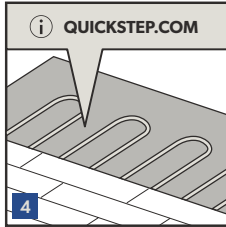
Quick-Step laminate floors can be bought in different formats, decors and qualities. Make sure you have received the correct flooring that you ordered before starting the installation. It is always a good idea to store the end labels together with your purchasing receipt.

2

Remove any damp-porous floor covering (carpet, needle felt, etc.) first. Damp-sealed floor covering (PVC, linoleum, VCT, etc.) does not have to be removed. Always use a dampproof underlay. We advise to use a Quick-Step underlay. On a damp-sealed floor covering (PVC, linoleum, VCT, etc.) an underlay with a dampproof membrane (or a separated PE-foil) need to be installed to avoid migration.

3

WOODEN SUBFLOOR: Remove any existing floor covering first. No signs of mould and/or insect infestations should be present. Make sure the subfloor is level. Nail or screw down any loose parts. If the wooden subfloor is flat (no unevenness greater than 2mm over the length of 1 meter): you can install any QS underlay. If the wooden subfloor is not flat and has unevenness > 2mm and < 4mm over a length of 2m (because of cupping of the wooden subfloor planks): you can install the QS Thermolevel underlay. If the wooden subfloor is not flat and has unevenness > 4mm over a length of 2m, you have to install a fibered levelling compound or underlay + plywood / OSB levelling floor. Install the new floor at ninety degrees to the existing subfloor. The crawl space under the plank floor must be sufficiently ventilated. Remove any obstacles and make sure there is sufficient ventilation (minimum 4 cm² (1/2") total ventilation openings per m² (40") of floor). The moisture content of the wood must not exceed 10%.



4

Additional instructions apply if there is underfloor heating or cooling. For health and safety reasons and to avoid problems with the Quick-Step laminate floor, a floor surface temperature of maximum 27°C (80°F) is allowed. Visit www.quick-step.com for more information. Certain important basic rules need to be followed:

Floor Heating

- Firstly it is very important to ensure a floor surface temperature of maximum 27°C (80°F).
- In case of a floating installation, a suitable underlay must be chosen. The total Thermal Resistance (R) of your Quick-Step laminate floor in combination with the underlay must be not higher than 0,15 m²K/W.
- Always change the temperature gradually at the start and end of a heating period.
- Finally try to avoid heat accumulation by carpets or rugs or by leaving insufficient space between furniture and the floor.
- Some water based and electrical floor heating systems are permitted. See separate installation instruction Floor Heating and Floor Cooling.

Floor Cooling

- For floor cooling, a heat-resistance of < 0.09m²K/W is prescribed. The heat-resistance of a Quick-Step laminate Floor varies between 0.06 m²K/W and 0,15 m²K/W (with underlay).
- Ensure a proper safety system including automatic sensors that detect when the dew point (= start of condensation) is reached below or in the floorcoverings and then switch off the cooling.

For a good preparation, read also the separate installation instructions for Floor Heating and Floor Cooling on www.Quick-Step.com

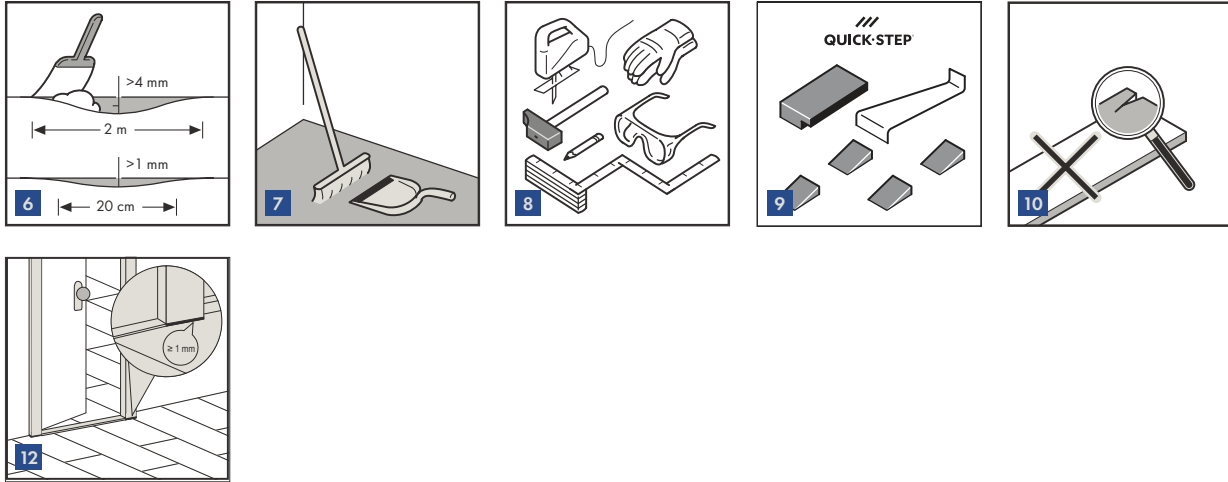
5

Mineral subfloors such as concrete must be sufficiently dry prior to installation. Installation on cement subfloor requires a CM < 2,5% (75 % RH). An installation on anhydrite subfloor requires a CM < 0,5 % (50% RH). If the moisture content is higher or may become higher other types of damp proofing must be used.

If floor heating is used, cement subfloor requires a CM < 1,5% (60% RH) and anhydrite subfloor requires a CM < 0,3 (40% RH). (see Floor Heating Instructions)

Always measure, record and keep your moisture content results.

A new cement screed floor must dry at least 1 week per 1cm (3/8") thickness up to 4cm (1-1/2"). Thicknesses over 4cm (1-1/2") require twice as much drying time. For example, a 6cm (2-1/2") concrete subfloor must dry at least 8 weeks.



6

Make sure the subfloor is level. Any unevenness greater than 4 mm over the length of 2 meter must be smoothed out. The same applies to any unevenness of more than 1 mm over a length of 20 cm. This rule does not cope to national regulations about levelling.

7

After checking the subfloor for unevenness, carefully vacuum the entire surface. Make sure that the floor base is flat, clean, firm, and dry. To avoid risk of squeaking, secure any loose particleboard, OSB, fiberboard, timber planks etc. with screws.

8

To install your laminate floor you need the following standard tools: Hammer, saw (a jig-saw, hand circular saw, hand saw, or cross-cut saw), mouth mask (during sawing), pencil, tape measure, safety goggles and gloves.

9

Apart from that, you also need the following accessories: installation kit (a pulling iron, spacers and a tapping block suitable for the Uniclic click system), underlay system (use an underlay that provides a stable foundation for the floor, such as the Quick-Step Unisound underlay) and suitable maintenance products. The use of accessories other than the Quick-Step accessories might cause damage to the Quick-Step floor. In such case the guarantee provided by Quick-Step will be void. We therefore advise to use only Quick-Step accessories as these have been especially designed and tested for the use with Quick-Step floor panels.

10

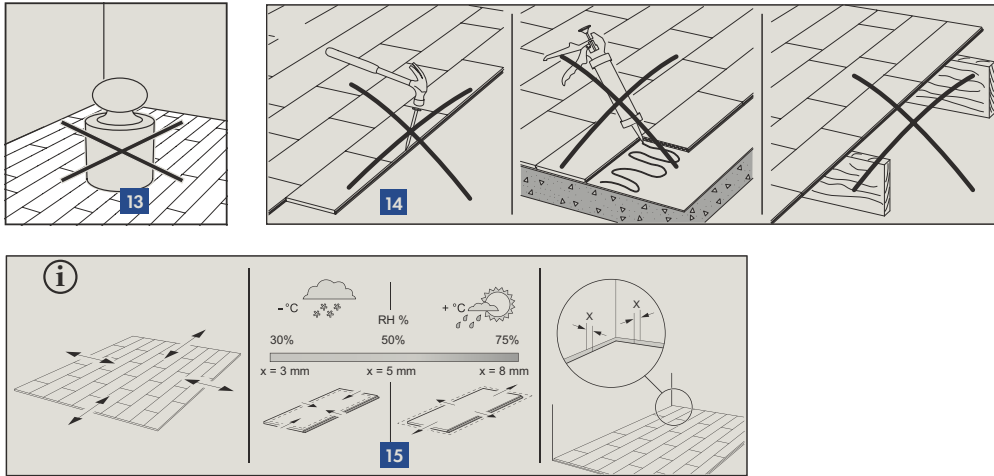
Check all panels before and during installation. Defective panels must never be used. An installed plank is considered as accepted and cannot be claimed.

11

Check whether the old skirting can be removed. You can leave the wall skirting boards in place and finish the floor with Quick-Step profiles or cover the existing skirting boards with the Quick-Step cover skirting board.

12

Check that the doors can still open and close after the floor and underlay have been installed. If the doorframe is installed after the floor installation, please make sure that a min. 1mm vertical gap is left between the base of the doorframe and the surface of the floor.



13

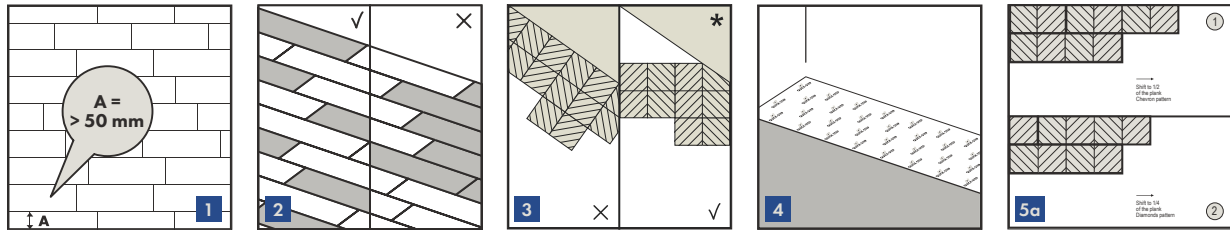
Cooking islands for kitchens and other very heavy objects should be installed first and not placed on top of the laminate. The laminate floor must be able to move around the heavy objects to avoid open joints and separating planks.”

14

Quick-Step laminate flooring is designed to be installed as a floating floor to allow natural expansion and contraction with changes in temperature and humidity. To achieve the benefits of a floating floor and to avoid possible gaps, squeaking etc. never fasten the floor with nail, screws, silicone etc.”

15

A Quick-Step laminate floor is mainly composed of natural wood and will naturally expand and contract upon changes in the relative humidity. The dimensional variation of the installed floor will almost be equal in length and width. At 20°C and a relative humidity, RH, between 40-60%, the movement is minimal. Quick-Step laminate flooring is produced and delivered with a moisture content to cope with a RH between 30-60%. In dry climate, for example in the Nordics during winter time, the RH might drop below 30% and in summertime rise above 70%. This will create movements in the floor surface. To secure enough clearance for the natural movements and to avoid possible open joints, squeaking etc. always keep a dilatation joint an expansion gap of 5mm average to walls, thresholds, staircases, pipes etc. during installation. Use the spacers of the installation kit to keep the right clearance. Installing in winter time in very low RH, the clearance to the wall should be lowered to 3mm since the floor panels will shrink, and if installing in high RH climate the clearance should be raised to 8mm since the floor panels will expand. The clearance must be left open and may NOT be filled by any sealant, silicone or other adhesive. Never fasten the floor with nails, glue, screws or in any other way.”



2. INSTALLATION

The floors with hydroseal technology are water resistant after installation. Following these instructions carefully makes the floor fit for use in ANY room which does not have a build-in floor drain. The floor is not suitable for use in damp spaces like showers, pool areas, saunas and rooms with build-in floor drains. Please note that some national regulations are not allowing floating installation in wet rooms. National regulations regarding floor applications must always be followed.

With Uniclic panels you can choose where you want to begin. Think about what will be the easiest way to install the floor. We will demonstrate the installation for right-handed people, from left to right. You can work in the other direction if you want.

1

Before starting, carefully measure the length and the width of the room to plan a precise layout to achieve a balanced appearance of the floor. This is very important when installing typical tile decors. This will ensure also you won't end up with the last row being too narrow. If the last row would be less than 50mm, the installation will be easier if you cut down the planks of the first row in the length.

2

Make sure the panels are mixed sufficiently when you install them, so that you do not end up with too many identical, light or dark panels next to each other.

3

To obtain the best visual effect, it is best to fit the design of the planks in the direction of the longest wall and parallel to the incidence of light. (*only applicable for Impressive patterns).

4

First install the underlay, per width and gradually as you progress. It is vital that you use underlays to smooth any unevenness in the base floor. The specially designed Quick-Step underlays have a damp-proof, insulating, noise-reducing and leveling function. The smooth top surface makes installing the laminate panels easier and ensures ample expansion afterwards. You can find more information about Quick-Step underlays and how to install them on the underlay packaging or at your dealer.

5

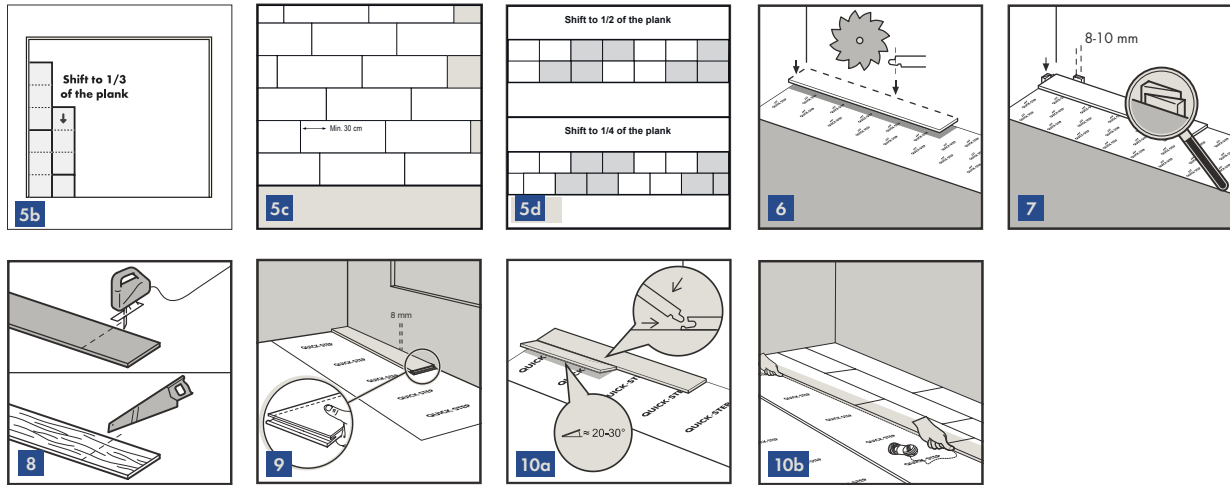
Depending the design, you have to shift the panels in a certain way. Ensure that the end joints of the panels in 2 successive rows are never in line, they should be staggered by at least 30 cm.

5a

For Impressive Patterns: for the Chevron patterns, you have to shift to 1/2 or 1/4. If you shift to 1/2 of the plank, you achieve a Chevron pattern. If you shift to 1/4 of the plank, you have the diamonds pattern.

5b

For Impressive Patterns: for the Royal oak patterns, you have to shift to 1/3 of the plank.



5c

For Muse: vertical joints should be staggered in a random pattern with minimum 30cm overlap.

5d

For Muse: we advise to install these tiles - with or without - inner bevel with a shift of the plank to $\frac{1}{2}$ or $\frac{1}{4}$.

6

Begin the first row with a whole plank. First saw off the tongue on both the long and the short sides.

7

Put the plank with sawn off sides against the walls. Put spacers from the installation kit between the planks and the wall. This will ensure that your expansion gap is wide enough: 8 to 10 mm ($\frac{5}{16}$ " to $\frac{3}{8}$ ").

8

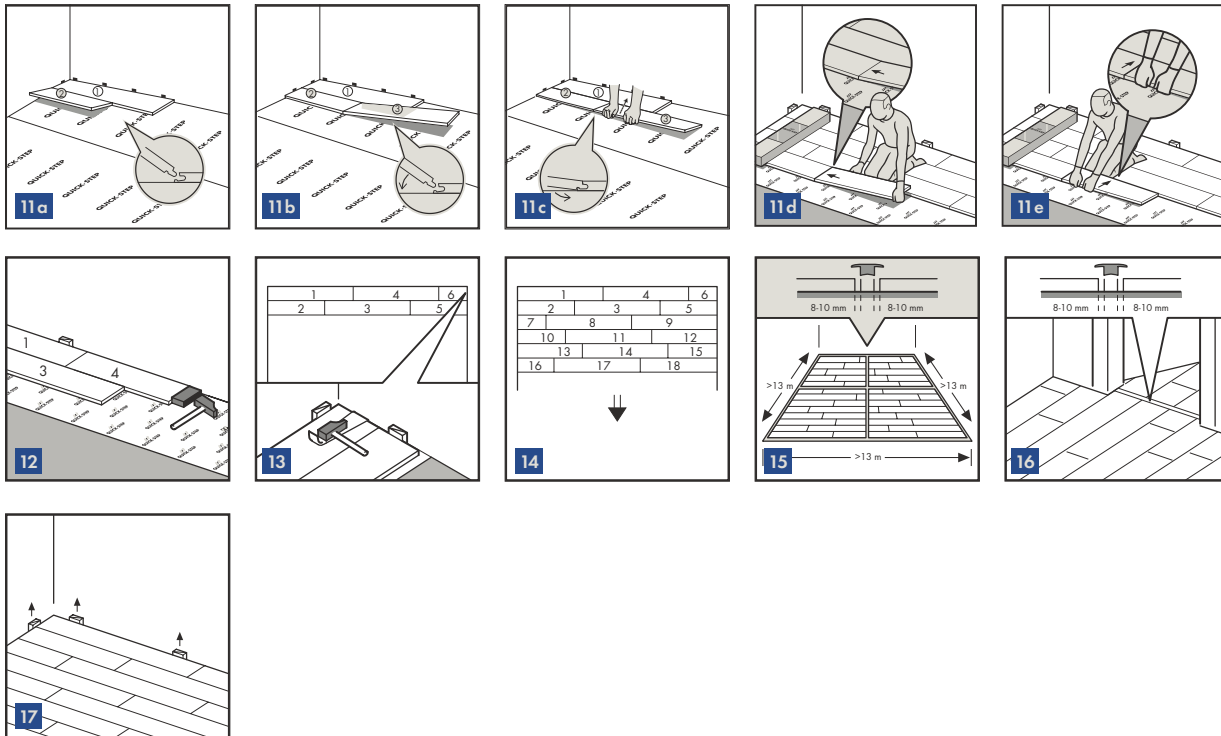
Of course we also need to saw the panels. To obtain a clean cut, the pattern side should face down when you use a jigsaw, sabre saw or circular handsaw and up when you use a handsaw or a crosscut saw. Ensure that the end joints of the panels in two successive rows are never in line.

9

Start with the first plank that will be installed in the corner. Remove the click profile on both the long and the short side of the plank by sawing. For other planks of the first row (not in the corner), remove the click profile on the long side that will be directly next to the wall. Any side of a plank that is directly next to a wall, must have its click profile removed, in order to ensure the required expansion gap.

10a 10b

In order to make the start of the installation easier, assemble the first 3 rows away from the wall, so you can sit on the planks during the assembly. Then slide the first 3 rows at the wanted position close to the wall with distance spacers in place. Take a thin rope and hold it alongside the installed planks to check and adjust the straightness of your installed first 3 rows. It is recommended to make additional checks of the straightness, in order to confirm the straightness during the installation. Remember to use the distance spacers for the expansion gap of 8mm (0,315 inch) along the perimeter.



11a 11b 11c 11d 11e

Uniclic is unique because you can install the planks in two different ways. Method A (angle-angle): First, rotate the short side of the plank to be installed, into the short side of the already installed plank, by means of the angle principle. Then raise the newly installed plank to an angle of 20-30°. This will also raise the previously installed planks in the same row, because their short sides are already connected. Now place your BOTH hands close to the joint as shown in the figure and pull the long side of the plank towards you. The panels will now click together. You can either insert the tongue into the groove, or the groove on to the tongue. The tongue in groove method is the most common and easiest way.

12

Method B: With Uniclic you can also tap the panels into each other without lifting. For this method you must use the special Uniclic tapping block. The planks should not be joined with a single tap. To avoid damaging the panels you must tap them together gradually.

13

In places where it is too difficult to install the Uniclic planks with the tapping block (e.g. against the wall), you can tap them together using the pulling iron and a hammer.

14

Continue like this to the end of the room.

15

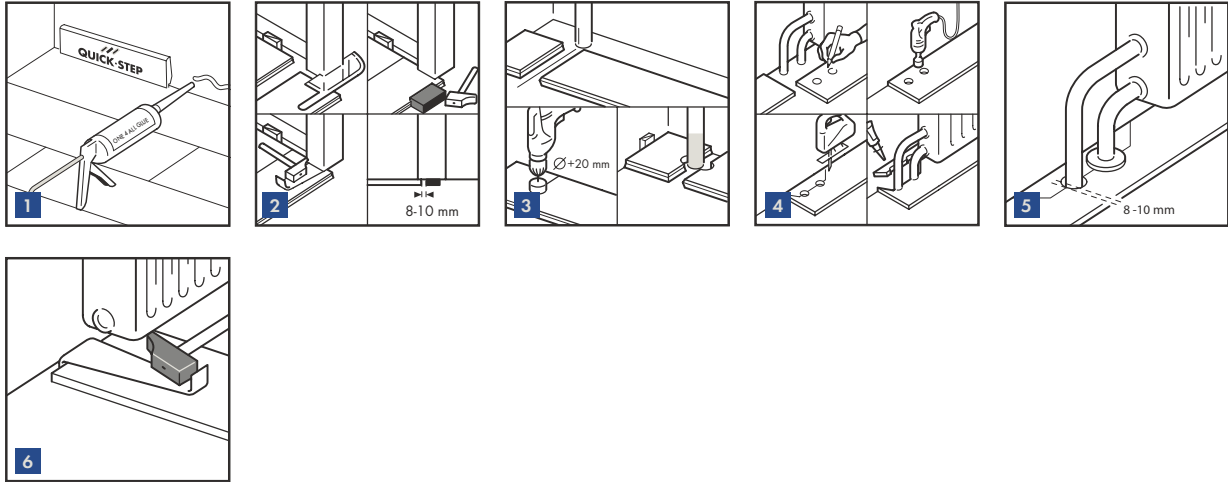
With lengths of more than 13 m and widths of more than 13 m, there should be an intermediate expansion gap. The swelling and shrinking is linear, so the bigger the surface, the bigger the play at the edge has to be.

16

Room humidity can vary according to the season, so it is vital that the floor is able to expand and contract. For this reason, make sure you leave an expansion gap of minimum 8 to 10 mm (5/16" to 3/8") on all sides of the floor, around pipes, thresholds and under doors. Expansion gaps can be finished by means of a skirting that is attached to the wall. It is mandatory to provide an expansion gap between different rooms (e.g. under the door). In typical T-, L or U-shaped rooms it may also be necessary to install an expansion gap. Contact the Quick-Step technical department in case of doubt.

17

Remove all spacers.



3. FINISHING

1

Install the skirting-board against the wall. Never attach the skirting-board to the floor. This method allows the floor to expand and contract under the skirting-board. Do not fill or cover the expansion joints with silicone or other kit.

2

When sawing the panels make sure that the expansion gap under the door is at least 10 mm. If you cannot lift the panel, use the tapping block or pulling iron and hammer to tap the panels together when the planks are flat on the floor.

3

In rows where there is a pipe, make sure the pipe falls exactly in line with the short side of two panels. Take a drill bit with the same diameter as the pipe plus 20 mm (3/4"). Click the panels together on the short side and drill a hole centered on the joint between the two panels. Now you can install the panels on the floor.

4

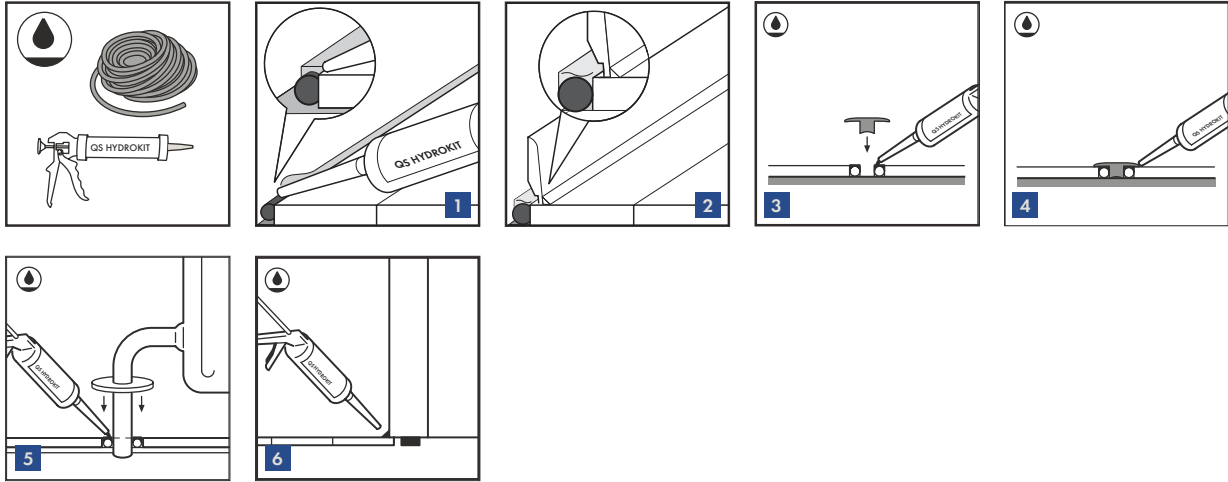
In rows where there is a double pipe, proceed as follows: 1. Measure where the pipe will come through the plank. Don't forget to allow for the expansion gap 2. Take a drill bit measuring the diameter of the pipe plus +20 mm for the expansion. Drill through the panel where the pipe will come through 3. Extend the hole to the edge of the panel 4. Lay the panel around the pipe 5. Take another panel and saw a piece that fits exactly in the remaining hole, and glue this piece with wood glue.

5

For a perfect finish around pipes, use Quick-Step pipe covers.

6

In places where it is difficult to install the planks with the tapping block (e.g. underneath radiators), you can tap them together with the pulling iron and a hammer.



3. FINISHING IN WET AREAS

These installation instructions can prevent water infiltration around the perimeter and obstacles of your laminate flooring in wet areas (areas with direct access to outside, areas with risk or dropped liquid on the surface, ..). Following these instructions carefully makes the floor fit for use in ANY room which does not have a build-in floor drain. The water-resistant floor is not suitable for use in damp spaces like showers, pool areas, saunas and rooms with build-in drains.

Please note that some national regulations are not allowing floating installation in wet rooms. National regulations regarding floor applications must always be followed. For a water resistant finishing, use the elastic waterproof transparent Quick-Step HydroKit and the foamstrip (NEFOAMSTRIP). For colourmatched parquet/standard skirtings and colourmatched scotia, use also the hydrostrip.

1

Sealing the perimeter expansion gaps combines a compressible PE foam with diameter 8 to 10 mm and the flexible and waterproof Quick-Step HydroKit. Push the PE foam in the expansion gaps and apply the flexible Quick-Step HydroKit under slight angle towards the Quick-Step floor.

2

When choosing the colourmatched parquet/standard skirting or colourmatched scotia, use the respective hydrostrips to avoid ingress of water and to obtain the look of a cleanly kitted finish. Install the skirting-board with Quick-Step One4all glue. Apply the flexible HydroKit between skirtings and floor to avoid ingress of water. In places where profiles or skirting-boards cannot be placed, fill expansion gaps with elastic paste (Quick-Step Kit).

Tip: To make work more clean, it can be easy to put a tape on the floor before applying the flexible HydroKit. This tape can be removed immediately after applying the HydroKit. Spilled HydroKit can be removed easily when it is dry.

3

Fix the Incizo base profile to the base floor with Quick-Step One4all glue and/or screws. Apply the flexible HydroKit on the flexible PE foam that is in the expansion gap.

4

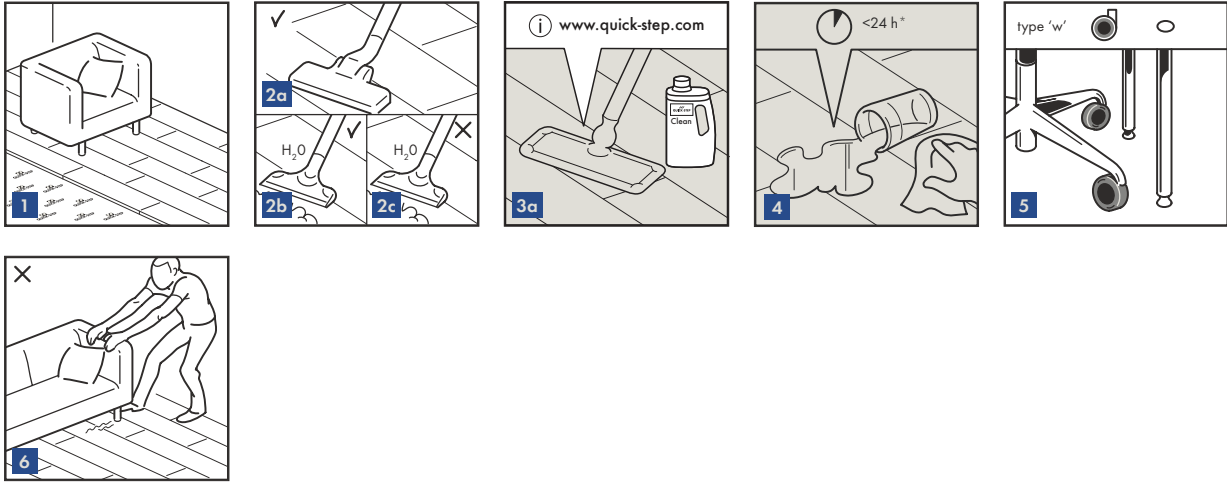
Push the Incizo profile in the base profile and the wet HydroKit. Add HydroKit where the Incizo touches the floor for a perfect waterseal.

5

For a perfect water resistant finishing around pipes, use Quick-Step® pipe covers, the elastic waterproof transparent Quick-Step® HydroKit and the PE-foamstrip. Put the foamstrip in the expansion gap around the pipe and apply transparent Quick-Step® HydroKit on top of the flexible PE foam that is in the expansion gap. Then place the pipe cover and apply HydroKit around the pipe cover and around the tubes. This makes the ingress of water impossible.

6

To secure extra water protection around the perimeter of the floor and avoid water to enter underneath the panels, apply the flexible Quick-Step Hydrokit up to the thresholds, door frames, pipe covers etc.



4. MAINTENANCE

1

You can walk on the floor during and immediately after installation. Ensure that humidity in the room is always at least 30%. Use a humidifier if you need to.

2

- For dry maintenance, we advise a Quick-Step mop or vacuum cleaner. Make sure the vacuum cleaner is equipped with soft wheels and a special parquet brush to avoid scratches on your floor
- You can use a steam cleaner on the Muse range, if there's no steam directly coming on the laminate. So it must always be used with an appropriate cloth on the steam opening, which guarantees also an homogeneous heat and steam distribution. It is also important to take care to hold the apparatus not too long on the same place and clean the floor in the length direction of the planks.
- For the Impressive Patterns range, we recommend to never use a steam cleaner.

3

For slightly damp and wet maintenance, we advise the Quick-Step maintenance set (see instructions). Be aware that the use of other cleaning products might damage your floor. For further information on how to clean and maintain your floor, please visit www.Quick-Step.com. For specific cleaning instructions in commercial applications or projects, you can contact the Quick-Step technical department.

4

Remove any water within 24h. * For Impressive Pattern range: remove any water within 12h.

5

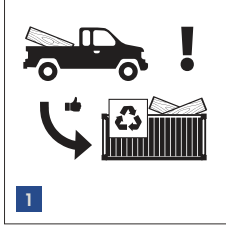
Protect furniture and chair legs. Avoid bringing dirt, water and sand indoors by providing a suitable floor mat at the door. Use (office) chairs and seats with soft wheels that are suitable for a laminate floor and/or use a suitable desk mat.

6

Never drag items of furniture over the floor, but lift them up.

7

The smooth surface of your laminate floor will not retain dirt or dust. Remove stubborn stains carefully with acetone or nail polish remover. Never use scouring products! Never use wax or varnish coating on the floor.



5. RECYCLING

1

Deliver installation waste or a disassembled floor to a recognized waste collection facility or recycling center as 'nonhazardous treated wood'.